

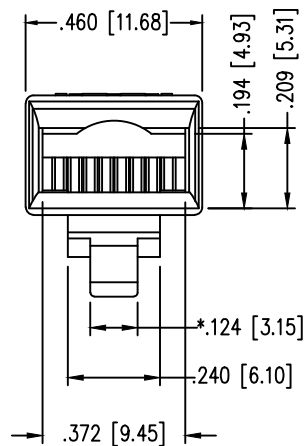
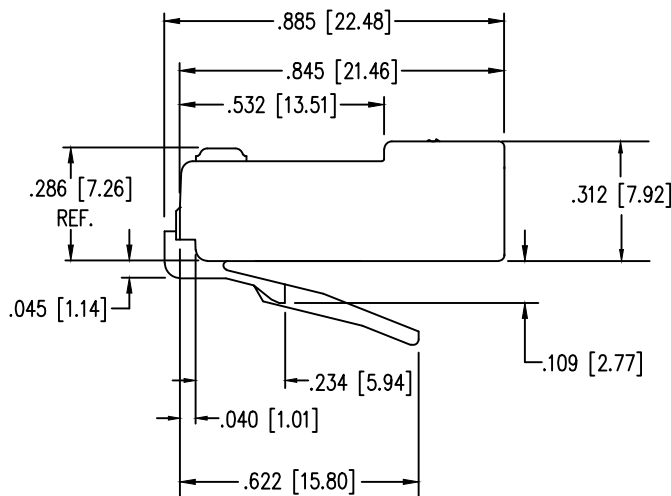
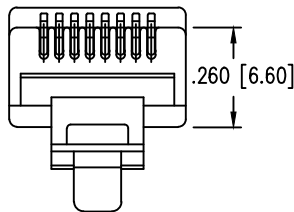
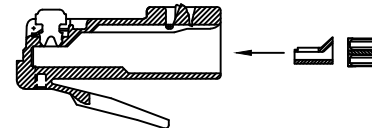
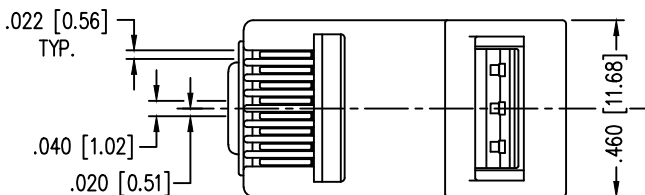
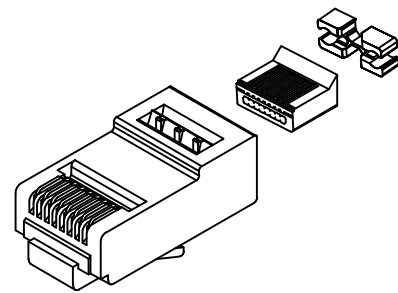
Sentinel Connector Systems Inc.

1953 Stanton Street

York, Pa. 17404

PART NO.: 111-080800FOLA4

- * EIGHT CONDUCTOR MODULAR PLUG
- * FOR HIGH SPEED APPLICATION
- * FOR CONDUCTORS WITH AN O.D. RANGE OF .031/.033 MAX.
- * USES .014 CONTACT
- * PRODUCT REQUIRES A SPECIAL LOAD BARS, LB018, LB030
- * FOR CAT 6 AND 6a PATCH CORD APPLICATIONS
- * USE FOR ONLY STRANDED CONDUCTORS
- * DESIGNED TO BE USED WITH SENTINEL COMPATIBLE LOAD BARS
- * NO LOGO



"PATENTED"

SPECIFICATIONS :

PERFORMANCE:

MEETS OR EXCEEDS CATEGORY 6 ANSI/TIA 568.2-D
PERFORMANCE TUNED TO CABLES MEETING CATEGORY 6a SPECIFICATIONS.

CONTACT MATERIAL:

PHOSPHOR BRONZE - .014 THK

CONTACT PLATING:

50 MICRO-INCH : OTHER PLATING OPTIONS AVAILABLE
SELECTIVE 24 CARAT HARD GOLD PLATE IN CONTACT AREA
OVER 100 MICRO-INCH MINIMUM NICKEL PLATE
PER CURRENT SELECTIVE GOLD PLATING REQUIREMENTS.

PLUG MATERIAL:

POLYCARBONATE

PLUG TOLERANCES
AND DIMENSIONS:

* COMPLIES WITH ANSI/TIA-1096-A REQUIREMENTS

U.L. RECOGNIZED

File# E188111

FLAME AUTO EXTINGUISH

94-V0

OPERATION TEMPERATURE:

-40°C TO +85°C

INSERTION/EXTRACTION LIFE:

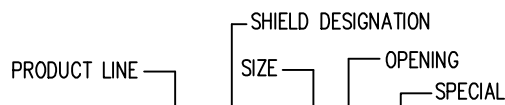
1000 CYCLES

CONTACT RESISTANCE:

10 MILLOHMS MAX.

CURRENT/VOLTAGE:
(RoHS COMPLIANT)

30 VAC/57 VDC AT 1.5 AMPS
* FORMER COMPLIANCE, FCC PART 68.500



PART NO. = 111-080800FOLA4

