

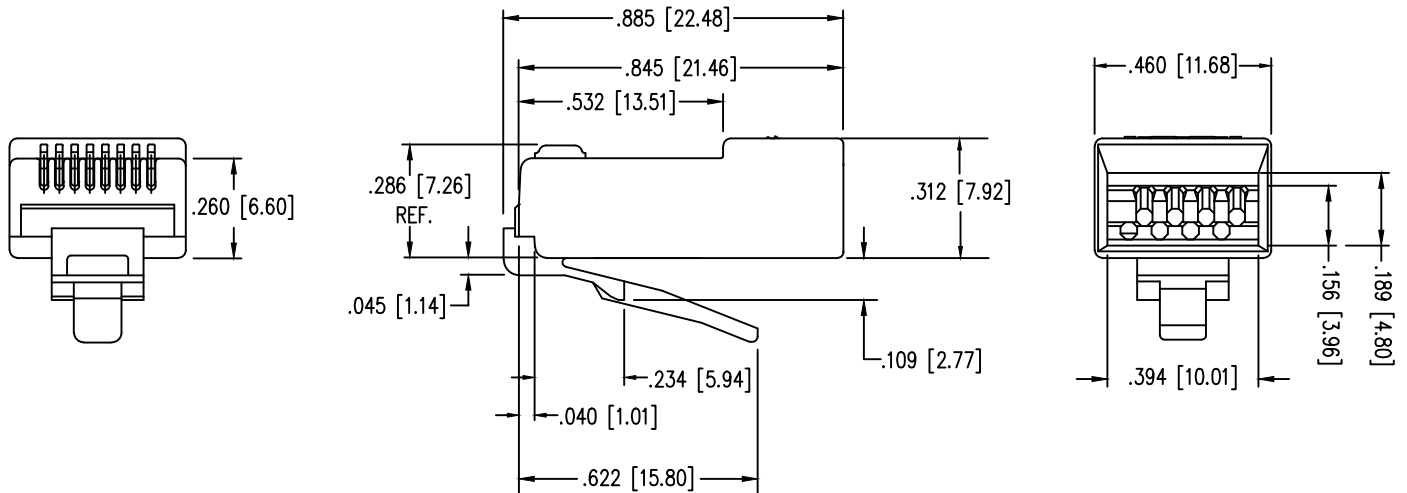
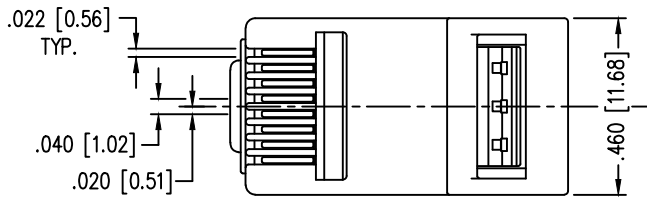
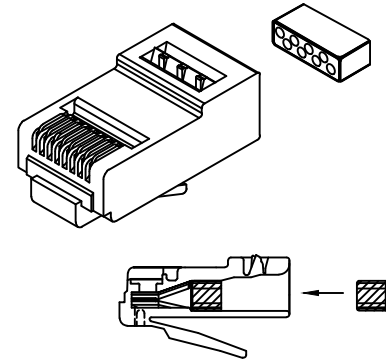
Sentinel® Connector Systems Inc.

1953 Stanton Street

York, Pa. 17404

PART NO.: 111-08080099L34

- * EIGHT CONDUCTOR MODULAR PLUG
- * FOR HIGH SPEED APPLICATION
- * FOR CONDUCTORS WITH AN O.D. RANGE OF .037/.042
- * USES .012 CONTACT
- * PRODUCT REQUIRES CONDUCTIVE LOAD BAR
- * THIS PART HAS NO LOGO ON THE TAB



"PATENTED"

SPECIFICATIONS :

PERFORMANCE:

MEETS OR EXCEEDS CATEGORY 5e ANSI/EIA 568-C.2
PERFORMANCE TUNED TO CABLES MEETING CATEGORY 6 SPECIFICATIONS.

CONTACT MATERIAL:

PHOSPHOR BRONZE - .012 THK

CONTACT PLATING:

50 MICRO-INCH : OTHER PLATING OPTIONS AVAILABLE
SELECTIVE 24 CARAT HARD GOLD PLATE IN CONTACT AREA
OVER 100 MICRO-INCH MINIMUM NICKEL PLATE
PER CURRENT SELECTIVE GOLD PLATING REQUIREMENTS.

PLUG MATERIAL:

POLYCARBONATE

PLUG TOLERANCES AND DIMENSIONS:

* COMPLIES WITH ANSI/TIA-1096-A REQUIREMENTS

U.L. RECOGNIZED

File# E188111

FLAME AUTO EXTINGUISH

94-V0

OPERATION TEMPERATURE:

-40°C TO +85°C

INSERTION/EXTRACTION LIFE:

1000 CYCLES

CONTACT RESISTANCE:

10 MILLOHMS MAX.

CURRENT/VOLTAGE:

30 VAC/57 VDC AT 1.5 AMPS

(RoHS COMPLIANT)

* FORMER COMPLIANCE, FCC PART 68.500

PRODUCT LINE

SIZE

OPENING

SPECIAL

PART NO. = 111-08080099L34

SERIES

CONTACTS

KEY

CONTACT/PLATING

DESIGNATES LOAD BAR PLUG