

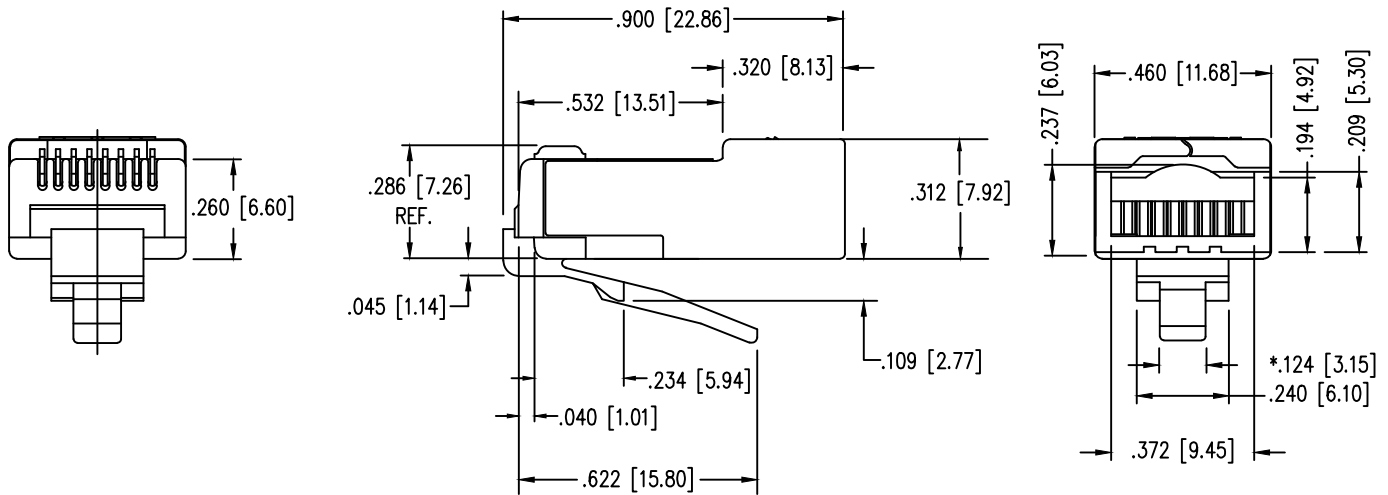
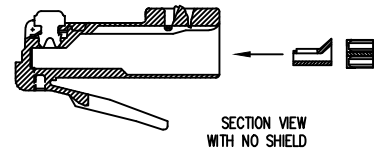
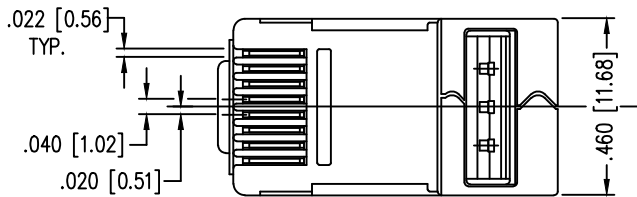
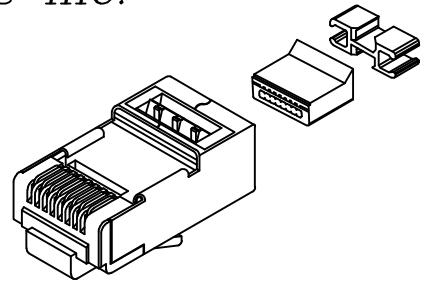
# Sentinel® Connector Systems Inc.

1953 Stanton Street

York, Pa. 17404

PART NO.: 111S08080095LA4

- \* EIGHT CONDUCTOR MODULAR PLUG
- \* FOR HIGH SPEED APPLICATION
- \* FOR CONDUCTORS WITH AN O.D. RANGE OF .037/.042
- \* USE FOR ONLY STRANDED CONDUCTORS
- \* FOR CAT 6 AND 6A PATCH CORD APPLICATIONS
- \* SHIELDED VERSION MODULAR PLUG
- \* DESIGNED TO BE USED WITH SENTINEL COMPATIBLE LOAD BARS



"PATENTED"

**SPECIFICATIONS :**

**PERFORMANCE:**

MEETS OR EXCEEDS CATEGORY 6 ANSI/EIA 568-C.2  
PERFORMANCE TUNED TO CABLES MEETING CATEGORY 6 SPECIFICATIONS.

**CONTACT MATERIAL:**

PHOSPHOR BRONZE - .012 THK

**CONTACT PLATING:**

50 MICRO-INCH : OTHER PLATING OPTIONS AVAILABLE  
SELECTIVE 24 CARAT HARD GOLD PLATE IN CONTACT AREA  
OVER 100 MICRO-INCH MINIMUM NICKEL PLATE  
PER CURRENT SELECTIVE GOLD PLATING REQUIREMENTS.

**PLUG MATERIAL:**

POLYCARBONATE

**SHIELD MATERIAL:**

.012 THK CDA-260 1/4 HARD BRASS

**SHIELD PLATING:**

100% TIN, 100-150 MICRO-INCH TIN PLATED

**PLUG TOLERANCES AND DIMENSIONS:**

\* COMPLIES WITH ANSI/TIA-1096-A REQUIREMENTS

**FLAME AUTO EXTINGUISH**

94-V0 - File# E188111

**OPERATION TEMPERATURE:**

-40°C TO +85°C

**INSERTION/EXTRACTION LIFE:**

1000 CYCLES

**CONTACT RESISTANCE:**

10 MILLOHMS MAX.

**CURRENT/VOLTAGE:**

30 VAC/57 VDC AT 1.5 AMPS

(RoHS COMPLIANT)

\* FORMER COMPLIANCE, FCC PART 68.500

