

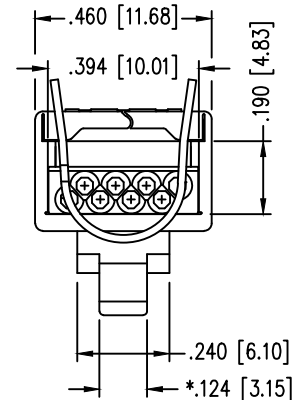
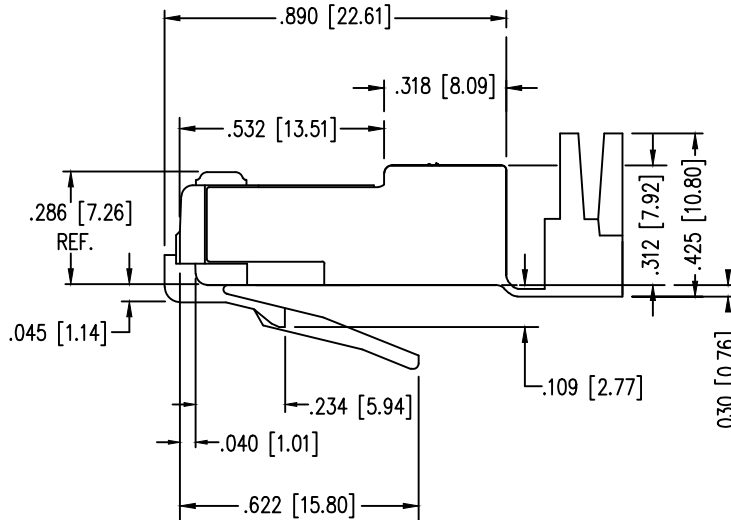
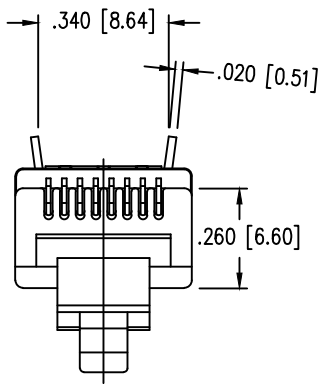
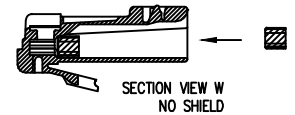
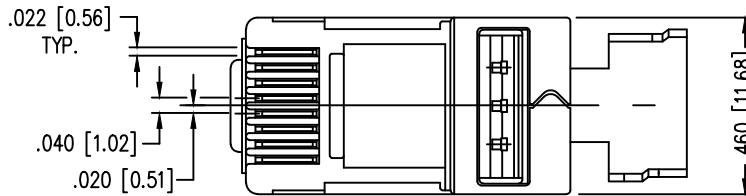
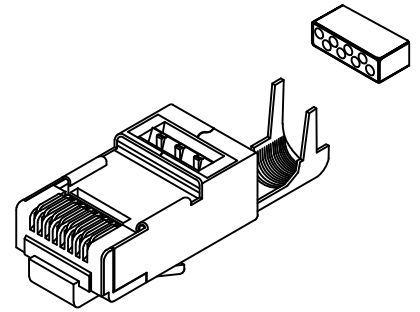
Sentinel® Connector Systems Inc.

1953 Stanton Street

York, Pa. 17404

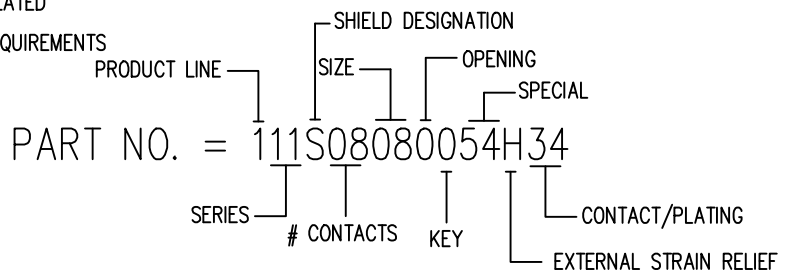
PART NO.: 111S08080054H34

- * EIGHT CONDUCTOR MODULAR PLUG
- * FOR HIGH SPEED APPLICATION
- * FOR CONDUCTORS WITH AN O.D. RANGE OF .037/.042
- * USE FOR SOLID OR STRANDED CONDUCTORS
- * PRODUCT REQUIRES A CONDUCTIVE LOAD BAR
- * SHIELDED VERSION (SPECIAL HEIGHT) MODULAR PLUG
- * FOR CABLE DIAMETERS UP TO .310 DIAMETER



SPECIFICATIONS :

PERFORMANCE:	MEETS OR EXCEEDS CATEGORY 6a ANSI/TIA 568.2-D PERFORMANCE TUNED TO CABLES MEETING CATEGORY 6a SPECIFICATIONS.
CONTACT MATERIAL:	PHOSPHOR BRONZE - .012 THK
CONTACT PLATING:	50 MICRO-INCH : OTHER PLATING OPTIONS AVAILABLE SELECTIVE 24 CARAT HARD GOLD PLATE IN CONTACT AREA OVER 100 MICRO-INCH MINIMUM NICKEL PLATE PER CURRENT SELECTIVE GOLD PLATING REQUIREMENTS.
PLUG MATERIAL:	POLYCARBONATE
SHIELD MATERIAL:	.012 THK CDA-260 1/4 HARD BRASS
SHIELD PLATING:	100% TIN, 100-150 MICRO-INCH TIN PLATED
PLUG TOLERANCES AND DIMENSIONS:	* COMPLIES WITH ANSI/TIA-1096-A REQUIREMENTS
FLAME AUTO EXTINGUISH	94-V0 - File# E188111
OPERATION TEMPERATURE:	-40°C TO +85°C
INSERTION/EXTRACTION LIFE:	1000 CYCLES
CONTACT RESISTANCE:	10 MILLOHMS MAX.
CURRENT/VOLTAGE:	30 VAC/57 VDC AT 1.5 AMPS
(RoHS COMPLIANT)	* FORMER COMPLIANCE, FCC PART 68.500



RECOMMENDED HAND TOOL FROM SENTINEL = 900019 OR 900020