

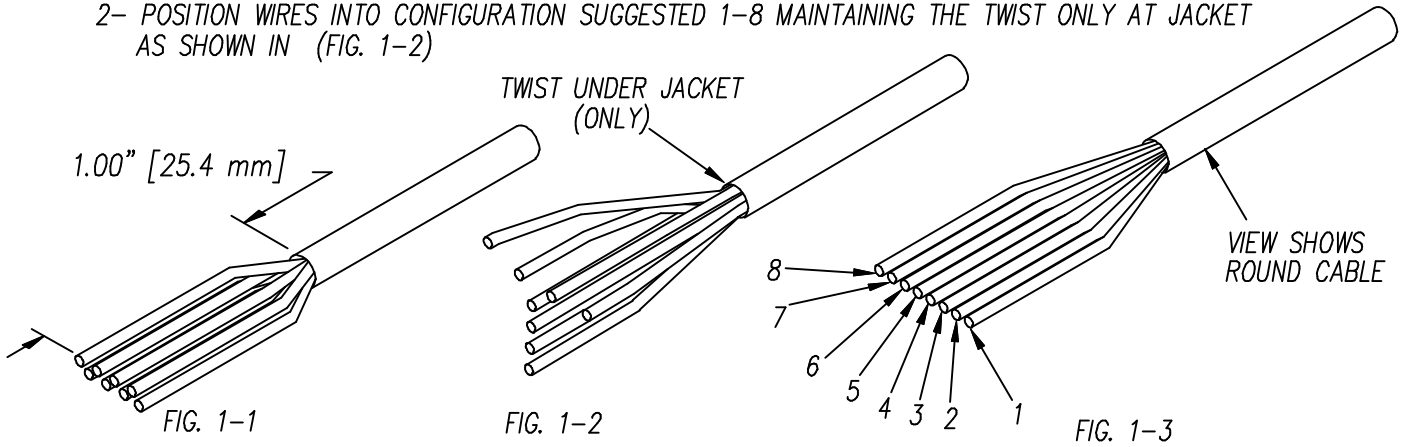
Sentinel Connector Systems, Inc

PART NO. : ENG00010

111 SERIES
SPECIAL CATEGORY 5, EIGHT CONDUCTOR WIRING CONFIGURATIONS

1- STRIP OFF INSULATION AND CUT WIRES APPROXIMATELY 1" LONG (FIG 1-1)

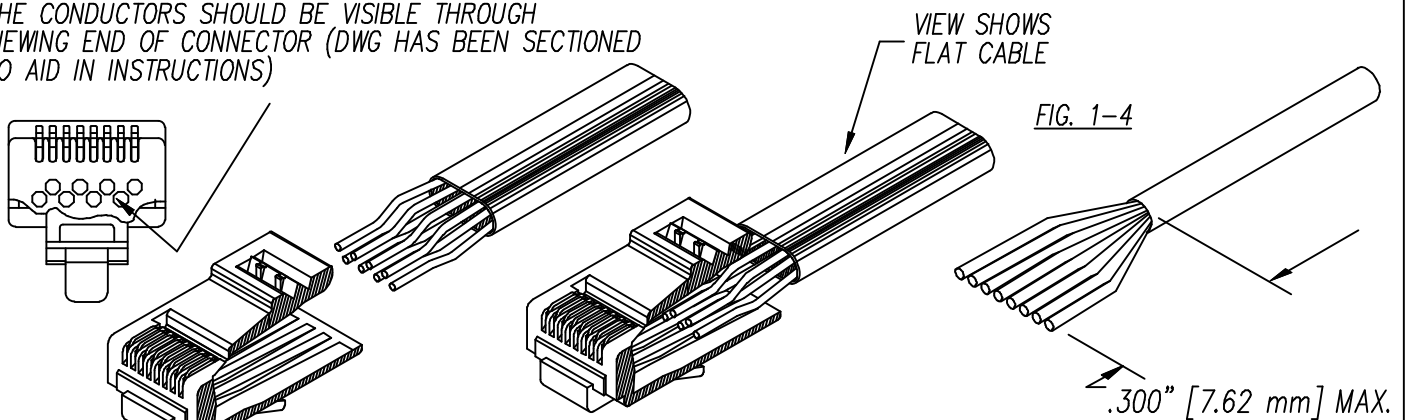
2- POSITION WIRES INTO CONFIGURATION SUGGESTED 1-8 MAINTAINING THE TWIST ONLY AT JACKET AS SHOWN IN (FIG. 1-2)



3- AFTER POSITIONING THE CONDUCTOR WIRES INTO PROPER POSITION, PINCH THE JACKET OVER THE CONDUCTORS FIRMLY AND CUT THE FINAL LENGTH TO APPROX .300 [7.62mm]

4- PUSH CABLE INTO PLUG HOUSING AT AN APPROXIMATE 30° ANGLE, WHILE CONTINUING TO PINCH JACKET PUSH ALL CONDUCTORS UNDER THE IDC CONTACTS AND AS FAR INTO THE HOUSING AS POSSIBLE (VIEW INTO FRONT OF HOUSING)

THE CONDUCTORS SHOULD BE VISIBLE THROUGH VIEWING END OF CONNECTOR (DWG HAS BEEN SECTIONED TO AID IN INSTRUCTIONS)



568-A

568-B

WHT/GRN	_____	1 POSITION 1	_____	WHT/ORG
GREEN	_____	2 POSITION 2	_____	ORG
WHT/ORG	_____	3 POSITION 3	_____	WHT/GRN
BLUE	_____	4 POSITION 4	_____	BLUE
WHT/BLU	_____	5 POSITION 5	_____	WHT/BLU
ORANGE	_____	6 POSITION 6	_____	GREEN
WHT/BRN	_____	7 POSITION 7	_____	WHT/BRN
BROWN	_____	8 POSITION 8	_____	BROWN