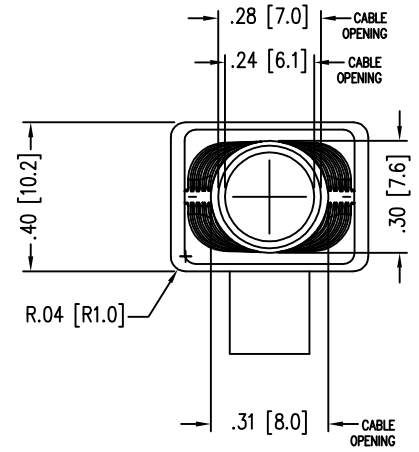
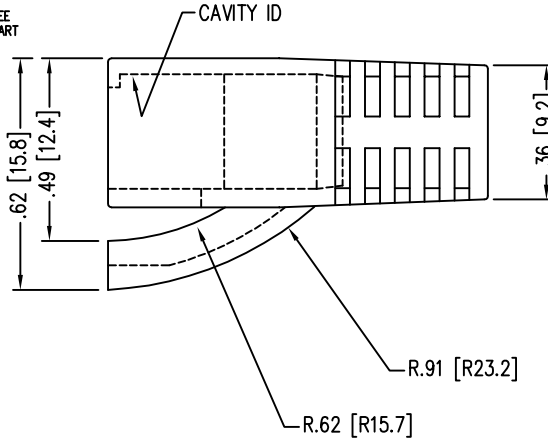
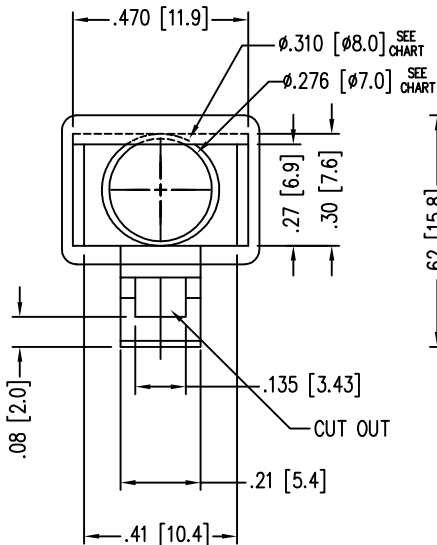
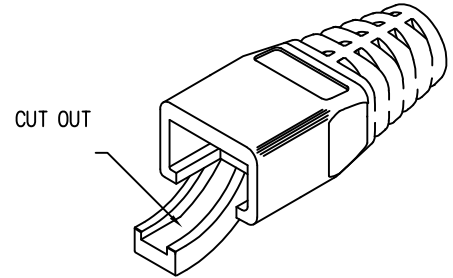
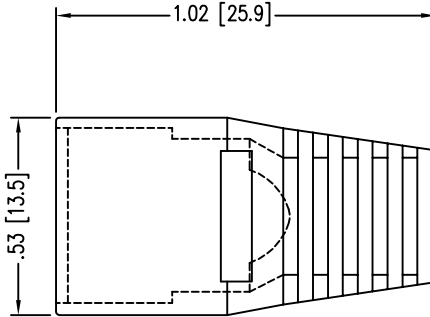
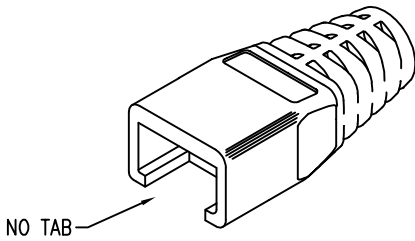


# Sentinel Connector Systems Inc.

1953 Stanton Street

York, Pa. 17404

## STANDARD PULL OVER STRAIN RELIEF BOOT WITH SPECIAL TAIL



DRAWING SHOWS MULTIPLE CABLE OPENINGS

PT No.:	8.0mm	V-0	8.0mm	V-0	7.0mm	V-0
	B0041---GREY	NO	B0049---GREEN	NO	B0045---BLACK	NO
	B0042---BLUE	NO	B0049 V0 GREEN	YES	B0045 V0 BLACK	YES
	B0043---WHITE	NO	B0051---BLACK	NO	B0053---BLUE	NO
	B0043-V0 WHITE	YES	B0051 V0 BLACK	YES	B0054---CLEAR	NO
	B0044---YELLOW	NO	B0052---CLEAR	NO		
	B0046---RED	NO	B0052 V0 CLEAR	YES		
	B0047---ORANGE	NO	B0055 V0 GREY	YES		
	B0048---PURPLE	NO	B0067 V0 NT BLACK	YES		
	B0048-V0 PURPLE	YES	B0068 V0 NT YELLOW	YES		

PRODUCT LINE

PART NO. = BOOXX

TYPE & COLOR

MATERIAL:  
PVC, & (V-0) WHERE NOTED  
FEATURES: SNAGLESS TAB

SDB00XX-C

TOLERANCE:  
(X.XXX) 3 PLC DEC = +/- .020  
UNIT OF MEASUREMENT IN INCHES

4/27/18 REV A16  
6/05/14 REV A15  
5/12/14 REV A14