

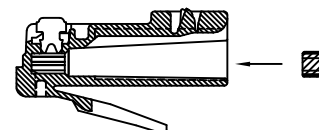
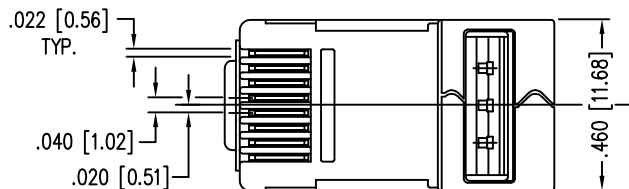
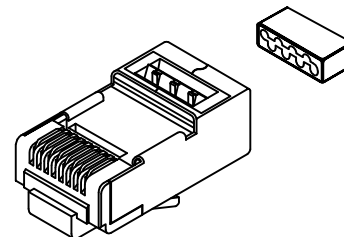
Sentinel® Connector Systems Inc.

1953 Stanton Street

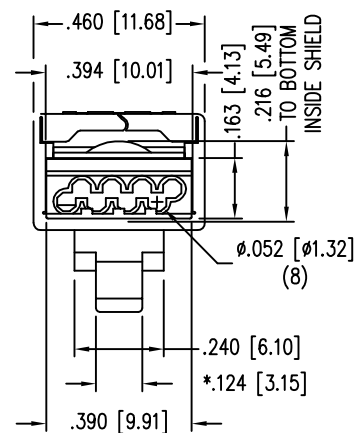
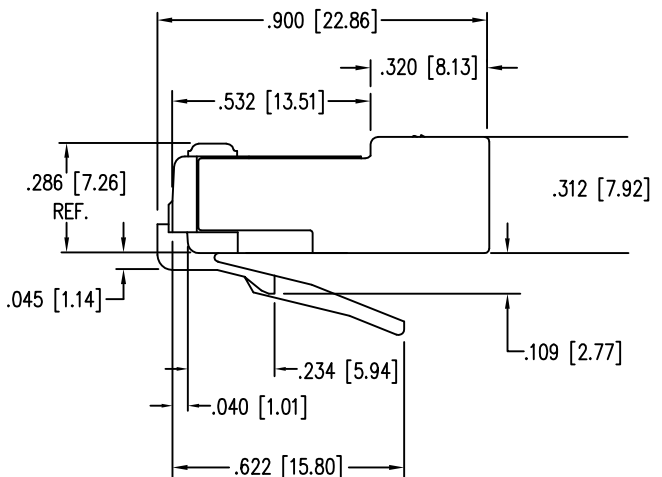
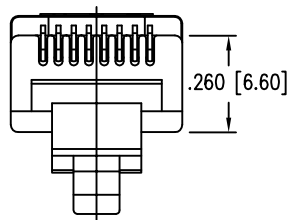
York, Pa. 17404

PART NO.: 111S08080091L34

- * EIGHT CONDUCTOR MODULAR PLUG
- * FOR HIGH SPEED APPLICATION
- * FOR CONDUCTORS WITH AN O.D. RANGE OF .048/.052
- * USE FOR SOLID OR STRANDED CONDUCTORS
- * PRODUCT REQUIRES A CONDUCTIVE LOAD BAR
- * SHIELDED VERSION MODULAR PLUG



SECTION VIEW WITH NO SHIELD



"PATENTED"

SPECIFICATIONS :

PERFORMANCE:

MEETS OR EXCEEDS CATEGORY 6 ANSI/EIA 568-C.2
PERFORMANCE TUNED TO CABLES MEETING CATEGORY 6 SPECIFICATIONS.

CONTACT MATERIAL:

PHOSPHOR BRONZE - .012 THK

CONTACT PLATING:

50 MICRO-INCH : OTHER PLATING OPTIONS AVAILABLE
SELECTIVE 24 CARAT HARD GOLD PLATE IN CONTACT AREA
OVER 100 MICRO-INCH MINIMUM NICKEL PLATE
PER CURRENT SELECTIVE GOLD PLATING REQUIREMENTS.

SHIELD MATERIAL:

.012 THK CDA-260 1/4 HARD BRASS

SHIELD PLATING:

100% TIN, 100-150 MICRO-INCH TIN PLATED

PLUG MATERIAL:

POLYCARBONATE

PLUG TOLERANCES

* COMPLIES WITH ANSI/TIA-1096-A REQUIREMENTS

AND DIMENSIONS:

FLAME AUTO EXTINGUISH

94-V0 - File# E188111

OPERATION TEMPERATURE:

-40°C TO +85°C

INSERTION/EXTRACTION LIFE:

1000 CYCLES

CONTACT RESISTANCE:

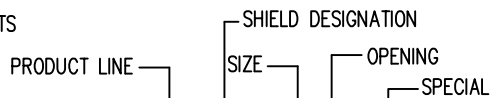
10 MILLOHMS MAX.

CURRENT/VOLTAGE:

30 VAC/42 VDC AT 1.5 AMPS

(RoHS COMPLIANT)

* FORMER COMPLIANCE, FCC PART 68.500



PART NO. = 111S08080091L34



4/17/12 A3
6/30/10 A2
1/13/10 A1