

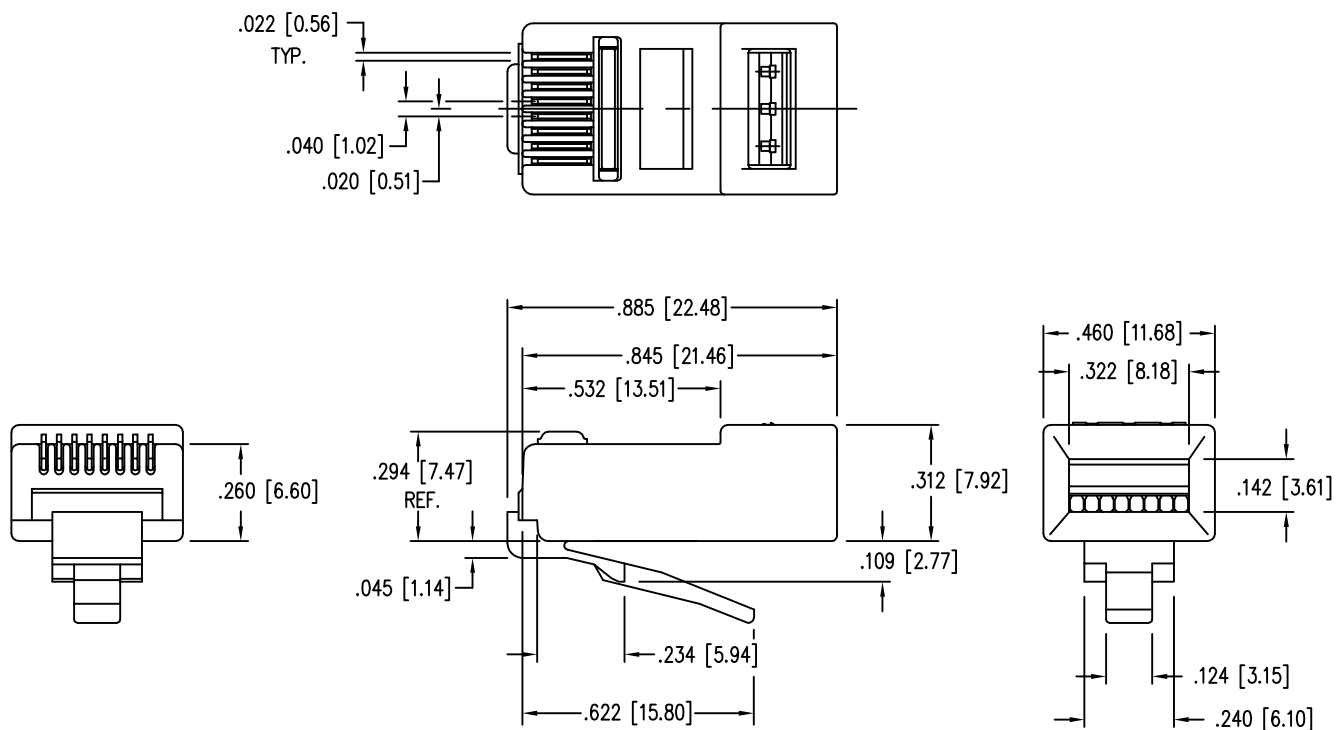
# Sentinel® Connector Systems Inc.

1953 Stanton Street

York, Pa. 17404

PART NO.: 102-080800-54

- \* EIGHT CONDUCTOR MODULAR PLUG
- \* FOR CONDUCTORS WITH MAXIMUM O.D. OF .031
- \* FOR SOLID OR STRANDED WIRE APPLICATIONS
- \* USES .012 THK. CONTACT



SPECIFICATIONS :

CONTACT MATERIAL: PHOSPHOR BRONZE - .012 THK.  
 CONTACT PLATING: 50 MICRO-INCH SELECTIVE GOLD PLATE  
 IN CONTACT AREA OVER 100 MICRO-INCH  
 MINIMUM NICKEL PLATING.  
 OTHER PLATING THICKNESSES AVAILABLE.

PLUG MATERIAL: POLYCARBONATE

PLUG TOLERANCES AND DIMENSIONS: \* COMPLIES WITH ANSI/TIA-1096-A REQUIREMENTS

U.L. RECOGNIZED File# E188111  
 FLAME AUTO EXTINGUISH 94-V0

OPERATION TEMPERATURE: -40°C TO +85°C

INSERTION/EXTRACTION LIFE: 1000 CYCLES

CONTACT RESISTANCE: 10 MILLOHMS MAX.

CURRENT/VOLTAGE: 30 VAC/42 VDC AT 1.5 AMPS

(RoHS COMPLIANT)

\* FORMER COMPLIANCE, FCC PART 68.500

