

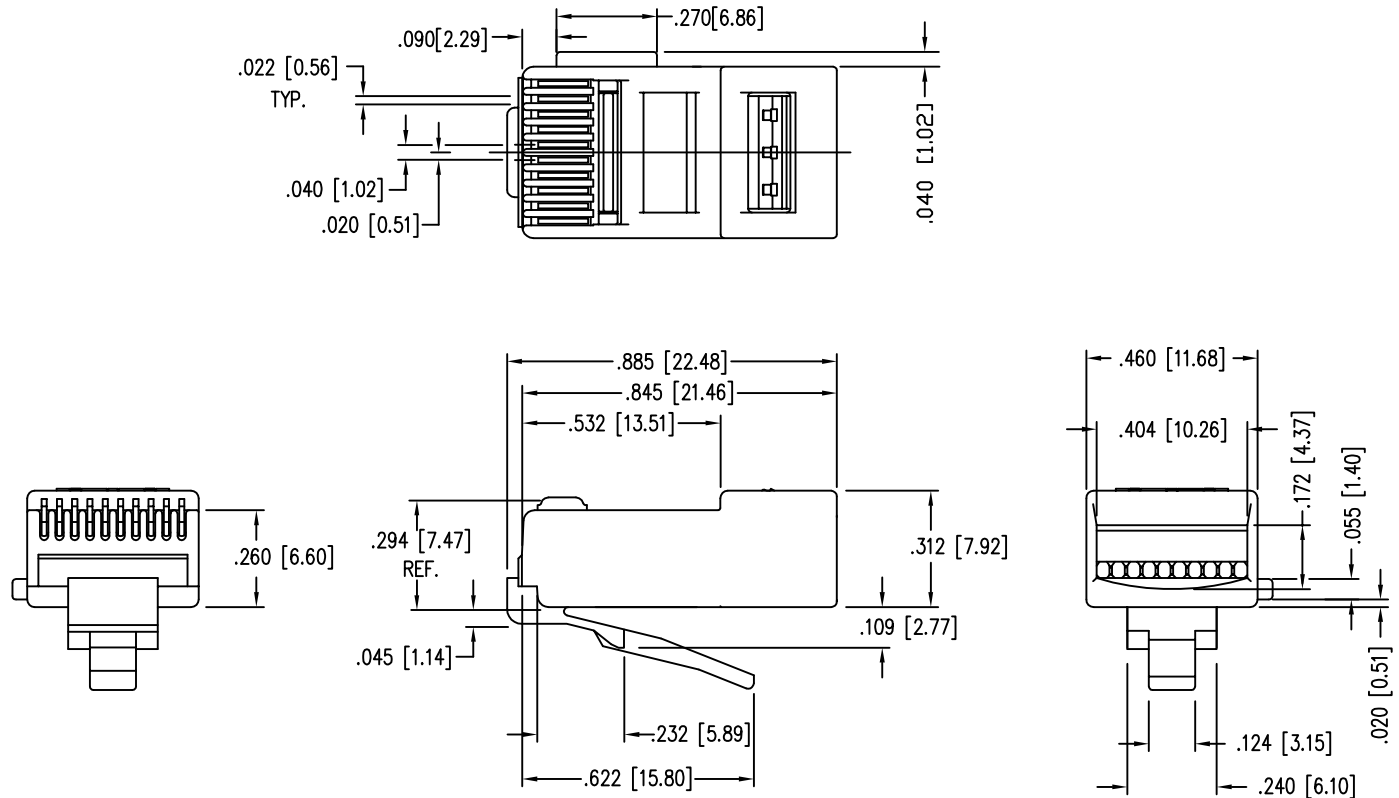
Sentinel® Connector Systems Inc.

1953 Stanton Street

York, Pa. 17404

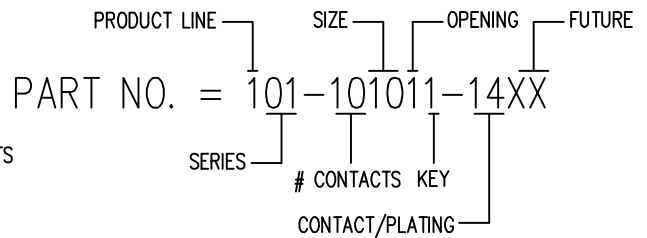
PART NO.: 101-101011-14

- * TEN CONDUCTOR MODULAR PLUG
- * RADIUSED OPENING FOR ROUND CABLE
- * FOR CONDUCTORS WITH MAXIMUM O.D. OF .038
- * FOR STRANDED WIRE APPLICATIONS
- * SPECIAL KEY FEATURE
- * USES .012 CONTACT



SPECIFICATIONS :

CONTACT MATERIAL:	PHOSPHOR BRONZE .012 THK.
CONTACT PLATING:	50 MICRO-INCH SELECTIVE GOLD PLATE IN CONTACT AREA OVER 100 MICRO-INCH MINIMUM NICKEL PLATING. OTHER PLATING THICKNESSES AVAILABLE.
PLUG MATERIAL:	POLYCARBONATE
PLUG TOLERANCES AND DIMENSIONS:	* COMPLIES WITH ANSI/TIA-1096-A REQUIREMENTS
UL FLAMABILITY RATING:	94-V0 - File# E188111
OPERATION TEMPERATURE:	-40°C TO +70°C
INSERTION/EXTRACTION LIFE:	1000 CYCLES
CONTACT RESISTANCE:	10 MILLOHMS MAX.
CURRENT/VOLTAGE:	30 VAC/42 VDC AT 1.5 AMPS
(RoHS COMPLIANT)	



* FORMER COMPLIANCE, FCC PART 68.500

SD000057 RECOMMENDED SENTINEL HAND TOOL FOR THIS PART: 900000/900207 OR 900012/900235 900005/900265 (DIES NOT STOCKED)

4/17/12 A2
1/21/10 A1
5/4/98