

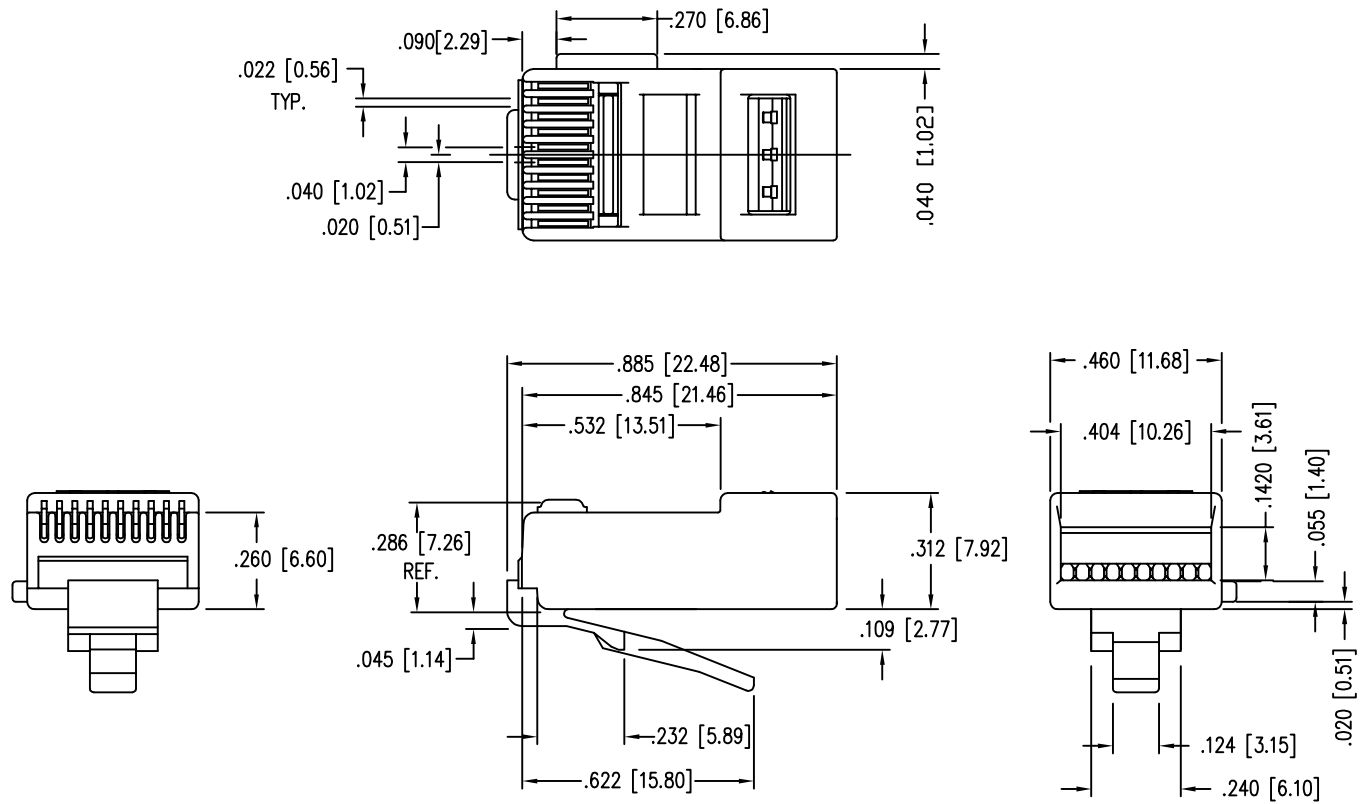
# Sentinel<sup>®</sup> Connector Systems Inc.

1953 Stanton Street

York, Pa. 17404

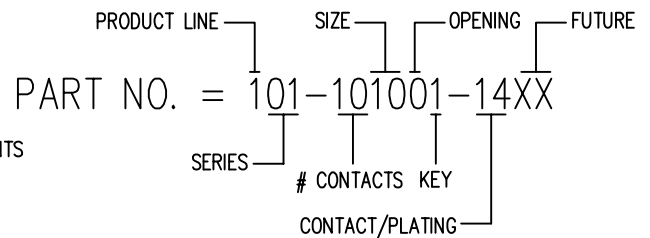
PART NO.: 101-101001-14

- \* TEN CONDUCTOR MODULAR PLUG
- \* STANDARD OPENING, RECOMMENDED FOR FLAT OR OVAL CABLE
- \* FOR CONDUCTORS WITH MAXIMUM O.D. OF .038
- \* FOR STRANDED WIRE APPLICATIONS
- \* SPECIAL KEY FEATURE
- \* USES .012 CONTACT



SPECIFICATIONS :

CONTACT MATERIAL:	PHOSPHOR BRONZE .012 THK.
CONTACT PLATING:	50 MICRO-INCH SELECTIVE GOLD PLATE IN CONTACT AREA OVER 100 MICRO-INCH MINIMUM NICKEL PLATING. OTHER PLATING THICKNESSES AVAILABLE.
PLUG MATERIAL:	POLYCARBONATE
PLUG TOLERANCES AND DIMENSIONS:	* COMPLIES WITH ANSI/TIA-1096-A REQUIREMENTS
UL FLAMABILITY RATING:	94-V0 - File# E188111
OPERATION TEMPERATURE:	-40°C TO +70°C
INSERTION/EXTRACTION LIFE:	1000 CYCLES
CONTACT RESISTANCE:	10 MILLOHMS MAX.
CURRENT/VOLTAGE:	30 VAC/42 VDC AT 1.5 AMPS
(RoHS COMPLIANT)	



\* FORMER COMPLIANCE, FCC PART 68.500

SD000085 RECOMMENDED SENTINEL HAND TOOL FOR THIS PART: 900000/900207 OR 900012/900235 900005/900265 (DIES NOT STOCKED)

4/17/12 A2  
1/21/10 A1  
8/6/98