

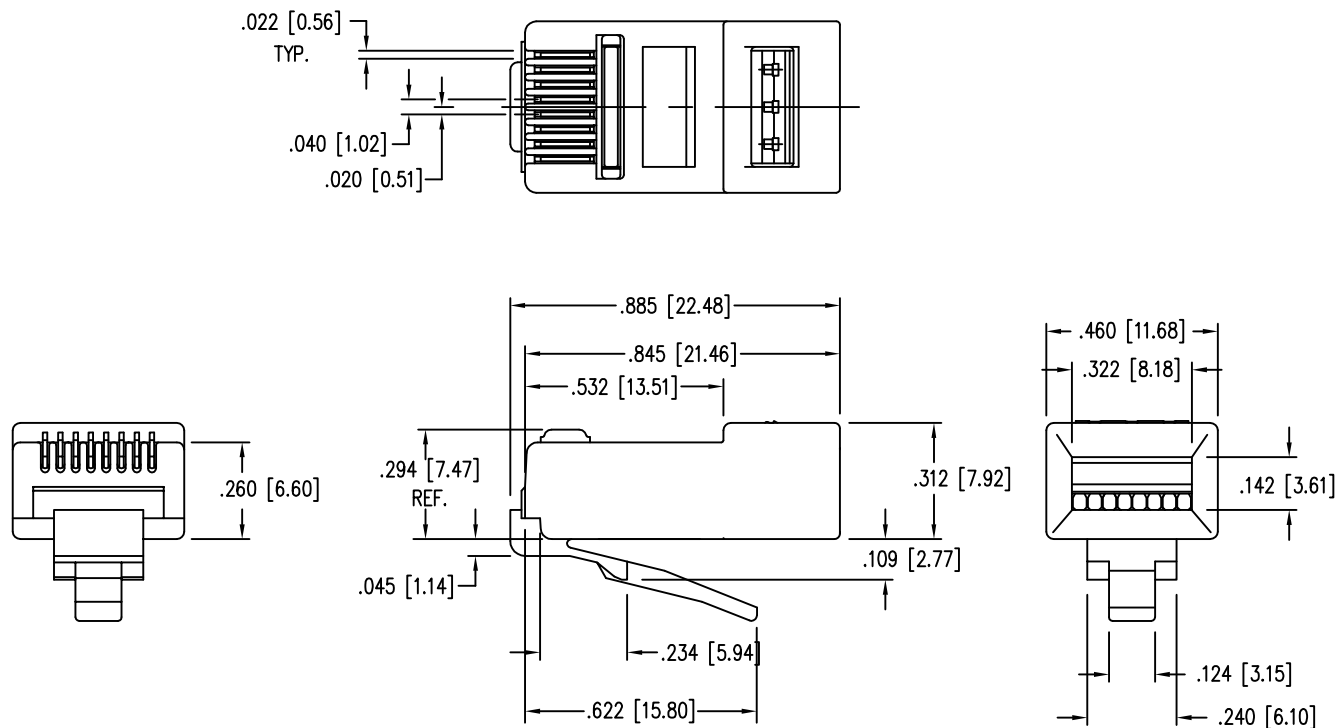
Sentinel® Connector Systems Inc.

1953 Stanton Street

York, Pa. 17404

PART NO.: 101-080800-14

- * EIGHT CONDUCTOR MODULAR PLUG
- * FOR CONDUCTORS WITH MAXIMUM O.D. OF .038
- * FOR STRANDED WIRE APPLICATIONS
- * USES .012 THICK CONTACT



SPECIFICATIONS :

CONTACT MATERIAL: PHOSPHOR BRONZE - .012 THK
 CONTACT PLATING: 50 MICRO-INCH SELECTIVE GOLD PLATE
 IN CONTACT AREA OVER 100 MICRO-INCH
 MINIMUM NICKEL PLATING.
 OTHER PLATING THICKNESSES AVAILABLE.

PLUG MATERIAL: POLYCARBONATE

PLUG TOLERANCES AND DIMENSIONS: * COMPLIES WITH ANSI/TIA-1096-A REQUIREMENTS

UL FLAMABILITY RATING: 94-V0 - File# E188111

OPERATION TEMPERATURE: -40°C TO +70°C

INSERTION/EXTRACTION LIFE: 1000 CYCLES

CONTACT RESISTANCE: 10 MILLOHMS MAX.

CURRENT/VOLTAGE: 30 VAC/42 VDC AT 1.5 AMPS
 (RoHS COMPLIANT)

* FORMER COMPLIANCE, FCC PART 68.500

