

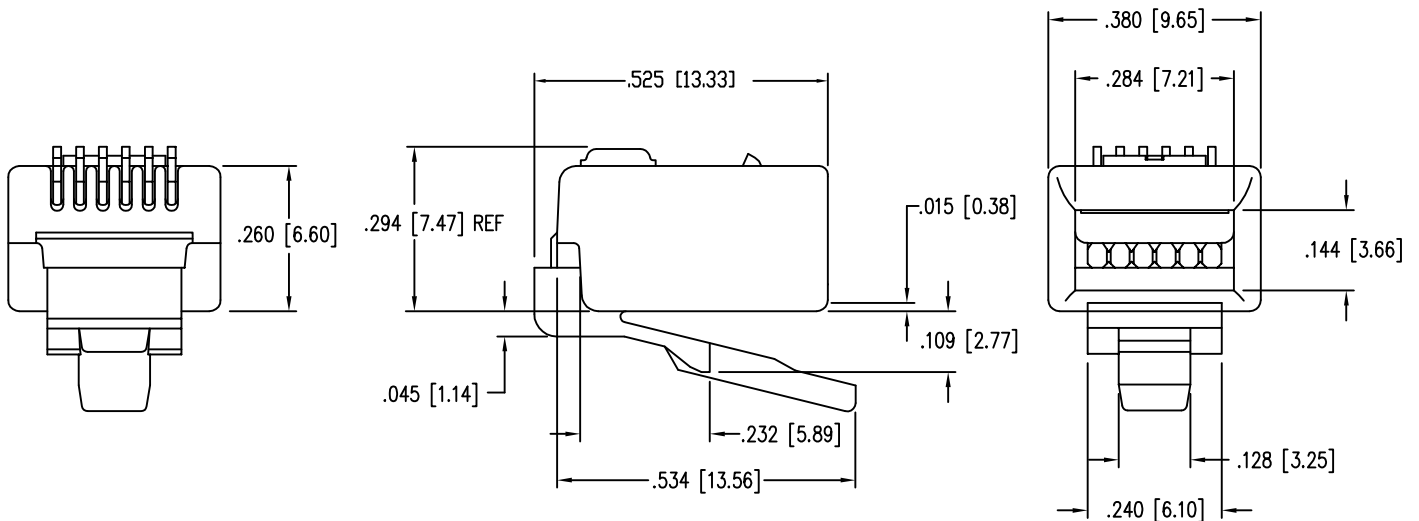
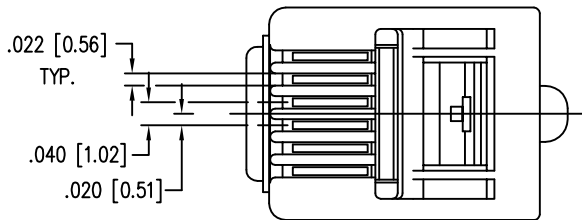
Sentinel[®] Connector Systems Inc.

1953 Stanton Street

York, Pa. 17404

PART NO.: 101-060620-54

- * SIX CONDUCTOR MODULAR PLUG
- * FOR CONDUCTORS WITH MAXIMUM O.D. OF .038
- * OPEN BACK
- * FOR SOLID WIRE APPLICATIONS
- * USES .012 THK. CONTACT



SPECIFICATIONS :

CONTACT MATERIAL: PHOSPHOR BRONZE - .012 THK.
 CONTACT PLATING: 50 MICRO-INCH SELECTIVE GOLD PLATE IN CONTACT AREA OVER 100 MICRO-INCH MINIMUM NICKEL PLATING. OTHER PLATING THICKNESSES AVAILABLE.
 PLUG MATERIAL: POLYCARBONATE

PLUG TOLERANCES AND DIMENSIONS:

* COMPLIES WITH ANSI/TIA-1096-A REQUIREMENTS

UL FLAMABILITY RATING: 94-V0 - File# E188111

OPERATION TEMPERATURE: -40°C TO +70°C

INSERTION/EXTRACTION LIFE: 1000 CYCLES

CONTACT RESISTANCE: 10 MILLOHMS MAX.

CURRENT/VOLTAGE: 30 VAC/42 VDC AT 1.5 AMPS

(RoHS COMPLIANT)

* FORMER COMPLIANCE, FCC PART 68.500

