

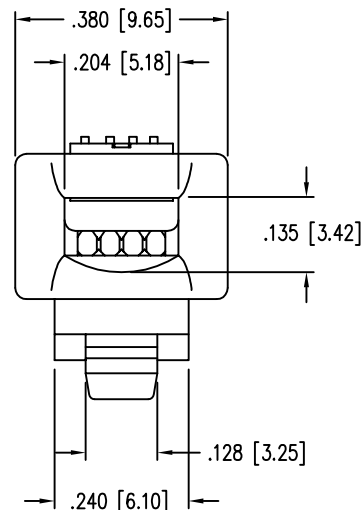
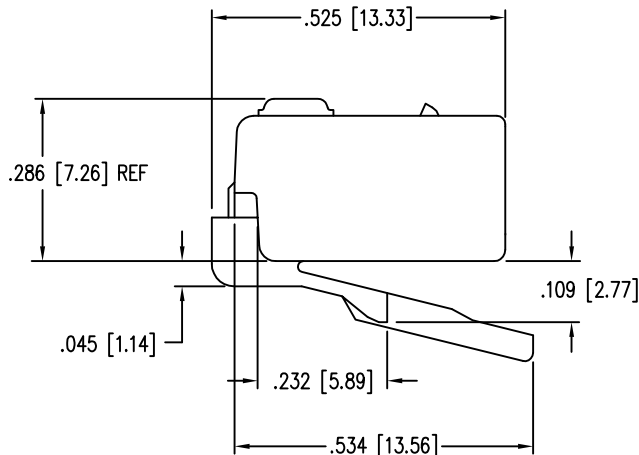
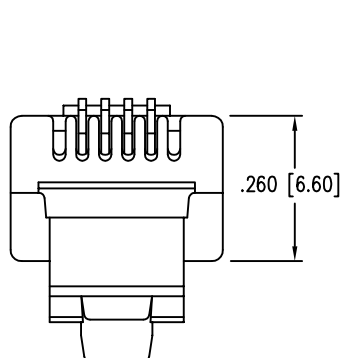
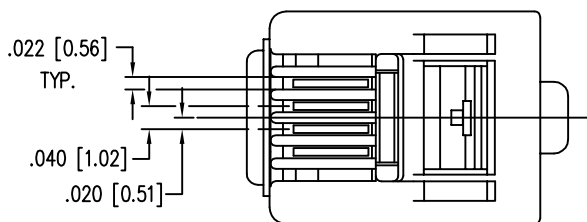
Sentinel[®] Connector Systems Inc.

1953 Stanton Street

York, Pa. 17404

PART NO.: 101-040610-14

- * FOUR CONDUCTOR SIX POSITION MODULAR PLUG
- * FOR CONDUCTORS WITH MAXIMUM O.D. OF .038
- * RADIUSED OPENING FOR ROUND CABLE
- * FOR STRANDED WIRE APPLICATIONS
- * USES .012 THICK CONTACT



SPECIFICATIONS :

CONTACT MATERIAL: PHOSPHOR BRONZE - .012 THK
 CONTACT PLATING: 50 MICRO-INCH SELECTIVE GOLD PLATE IN CONTACT AREA OVER 100 MICRO-INCH MINIMUM NICKEL PLATING. OTHER PLATING THICKNESSES AVAILABLE.
 PLUG MATERIAL: POLYCARBONATE

PLUG TOLERANCES AND DIMENSIONS:

UL FLAMABILITY RATING:

OPERATION TEMPERATURE: -40°C TO +70°C
 INSERTION/EXTRACTION LIFE: 1000 CYCLES
 CONTACT RESISTANCE: 10 MILLOHMS MAX.
 CURRENT/VOLTAGE: 30 VAC/42 VDC AT 1.5 AMPS
 (RoHS COMPLIANT)

* COMPLIES WITH ANSI/TIA-1096-A REQUIREMENTS

94-V0 - File# E188111

* FORMER COMPLIANCE, FCC PART 68.500
 RECOMMENDED HAND TOOL FROM SENTINEL: 900000 / 900201 OR 90005 / 900217

PRODUCT LINE — SIZE — OPENING — FUTURE
 PART NO. = 101-040610-14XX
 SERIES — # CONTACTS — KEY — CONTACT/PLATING