

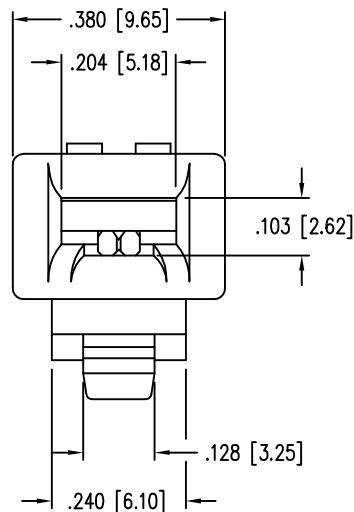
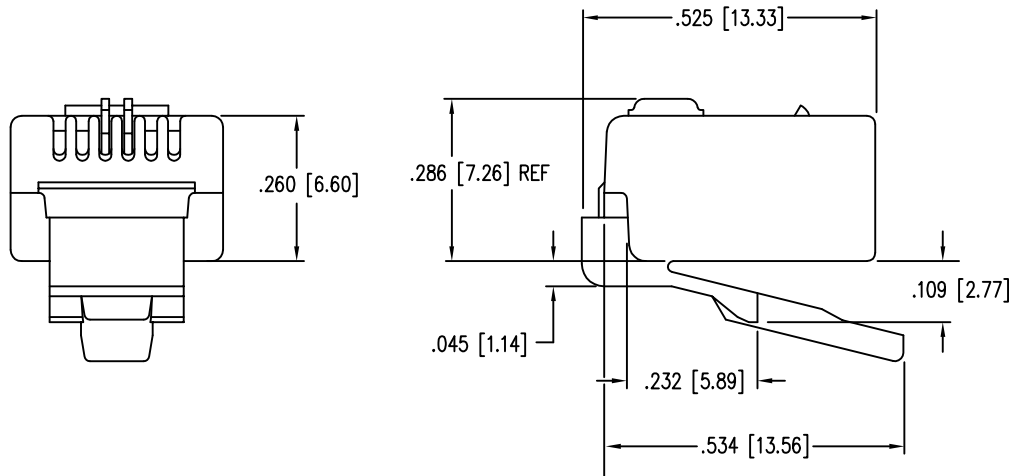
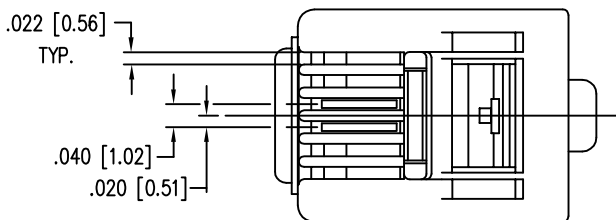
Sentinel[®] Connector Systems Inc.

1953 Stanton Street

York, Pa. 17404

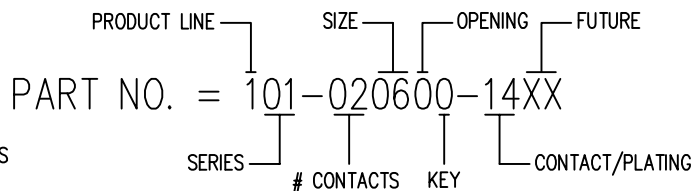
PART NO.: 101-020600-14

- * TWO CONDUCTOR SIX POSITION MODULAR PLUG
- * FOR CONDUCTORS WITH MAXIMUM O.D. OF .038
- * FOR STRANDED WIRE APPLICATIONS
- * USES .012 THICK CONTACT



SPECIFICATIONS :

CONTACT MATERIAL:	PHOSPHOR BRONZE - .012 THK
CONTACT PLATING:	50 MICRO-INCH SELECTIVE GOLD PLATE IN CONTACT AREA OVER 100 MICRO-INCH MINIMUM NICKEL PLATING. OTHER PLATING THICKNESSES AVAILABLE.
PLUG MATERIAL:	POLYCARBONATE
PLUG TOLERANCES AND DIMENSIONS:	* COMPLIES WITH ANSI/TIA-1096-A REQUIREMENTS
UL FLAMABILITY RATING:	94-V0 - File # E188111
OPERATION TEMPERATURE:	-40°C TO +70°C
INSERTION/EXTRACTION LIFE:	1000 CYCLES
CONTACT RESISTANCE:	10 MILLOHMS MAX.
CURRENT/VOLTAGE:	30 VAC/42 VDC AT 1.5 AMPS
(RoHS COMPLIANT)	



* FORMER COMPLIANCE, FCC PART 68.500
RECOMMENDED HAND TOOL FROM SENTINEL: 900000 / 900201 OR 90005 / 900217